

電機驅動方案產品介紹

廣閱科技

2016 May. 25

inergy^o

大比特研讨会资料区 : <http://bbs.big-bit.com/forum-549-1.html>

廣閱科技簡介

廣閱科技是專注於節能方案應用之IC設計公司，提供了由方案角度延伸的各類IC產品，包含了照明、電源及電機驅動領域。廣閱科技不僅提供高品質的IC產品，也協助客戶完成系統的設計及生產，近幾年來更結合了許多上下游產業提供客戶更完整的服務。





廣閎科技在電機驅動的整合

ienergy

Gate Driver / Discrete Device
Design & Production
Capability

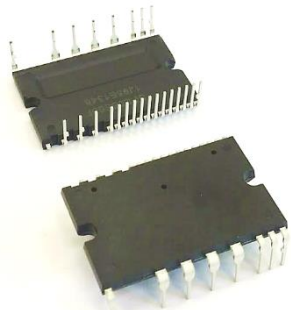
AC-DC & PFC Power System
Design & Production
Capability



Sine-Wave MCU Programming
Customized Service

電機驅動控制器及功率模塊產品

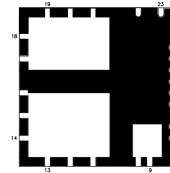
Controller	iU6306 180° Sine-wave Control	iU6315 150° High Speed Control	
600V DIP-25 IPM	INE06F60C 400W	INE10F60C 600W	INE15F60C 750W
500V DIP-23 IPM	iT5021 30W	iT5031 60W	iT5051 100W
250V DIP-23 IPM	iT2541 50W	iT2581 100W	
PQFN 7x7 Half Bridge	iT62240 50W	Customized Design, internal MOSFET up to 500V	
SOP-8L Half Bridge	iT62140 30W	Customized Design, internal MOSFET up to 100V	



DIP-25



DIP-23



PQFN 7x7

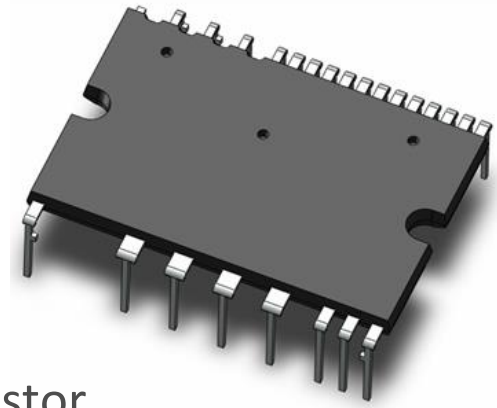


SOP-8L

DIP-25 Intelligent Power Module

Main Function and Ratings

- 3 Phases DC/AC inverter
- 600V / 6A ~ 15A low loss IGBTs
- N-side IGBT open emitter
- Bootstrap diodes built-in with current limiting resistor
- NTC embedded



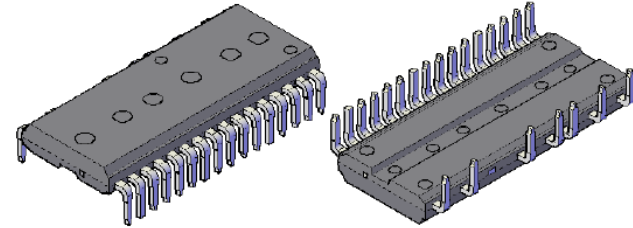
Application

- AC 100 ~ 240 Vrms (DC voltage 400V or below) class motor control

DIP-23 Intelligent Power Module

Main Function and Ratings

- 3 Phases DC/AC inverter
- 500V / 2A 、 3A 、 5A MOSFET
- 250V / 4A 、 8A MOSFET
- Bootstrap diodes built-in with current limiting resistor
- Temperature voltage signal output

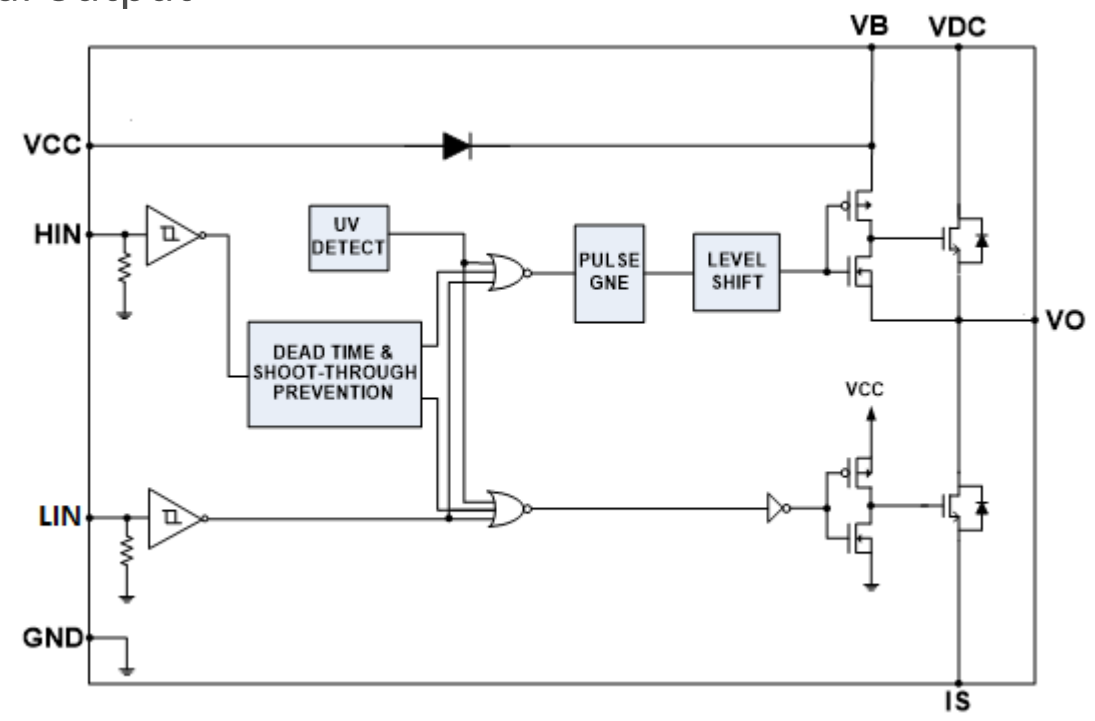
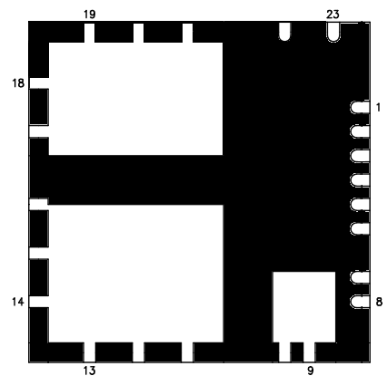


Application

- AC 100 ~ 240 Vrms (DC voltage 400V or below) class motor control

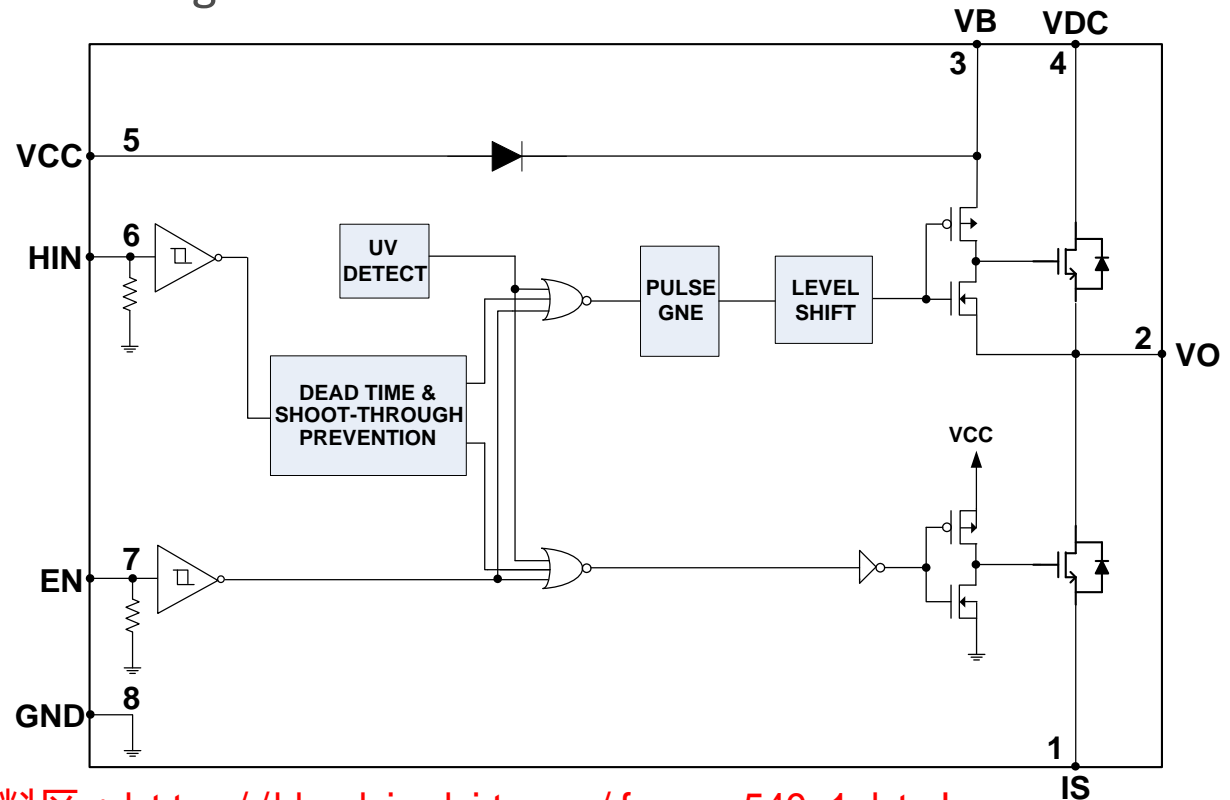
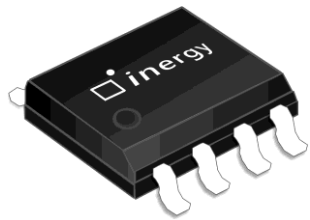
PQFN 7x7 Half-bridge Power Module

- MOSFET drivers embedded (MOSFET up to 500V)
- Bootstrap diode embedded
- Active-high interface
- Under-Voltage (UVLO) protection
- Cross-Conduction prevention logic
- Temperature voltage signal output

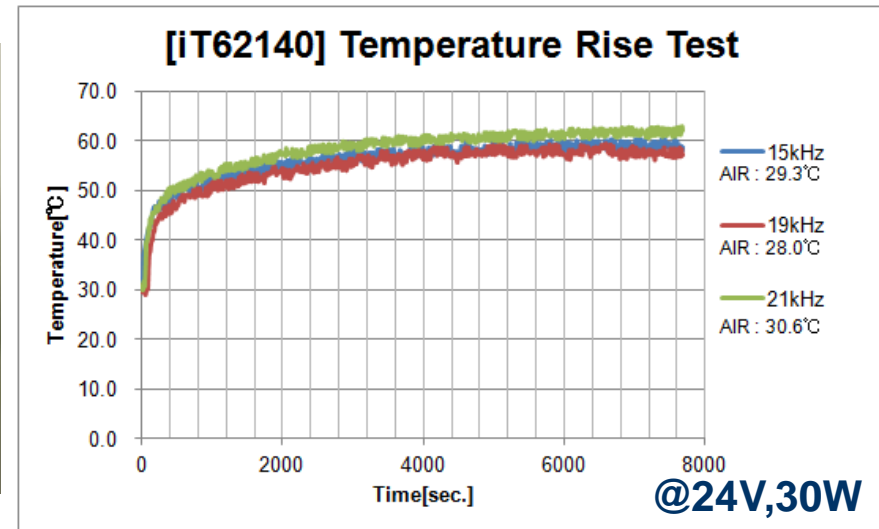
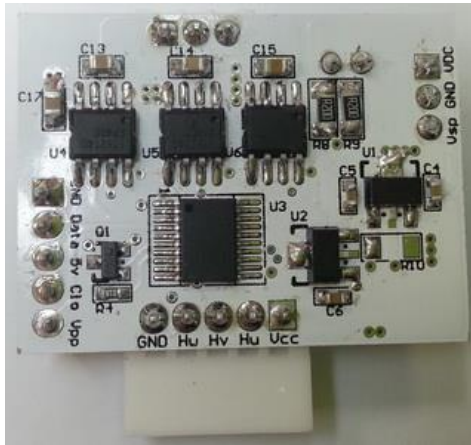
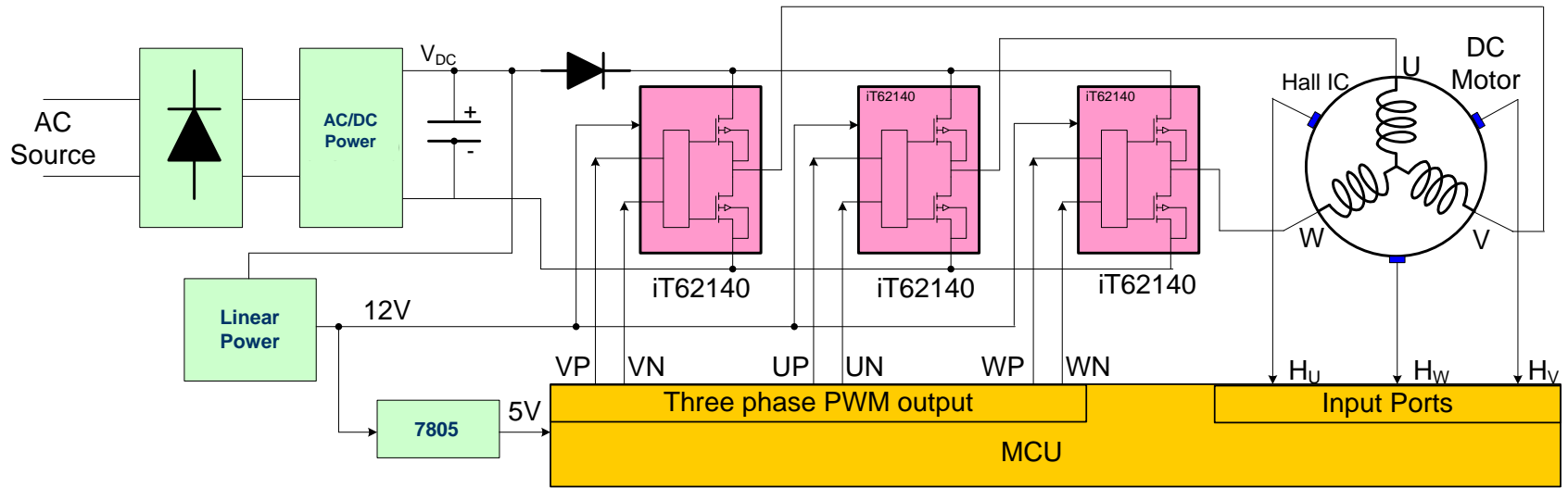


SOP-8L Half-bridge Power Module

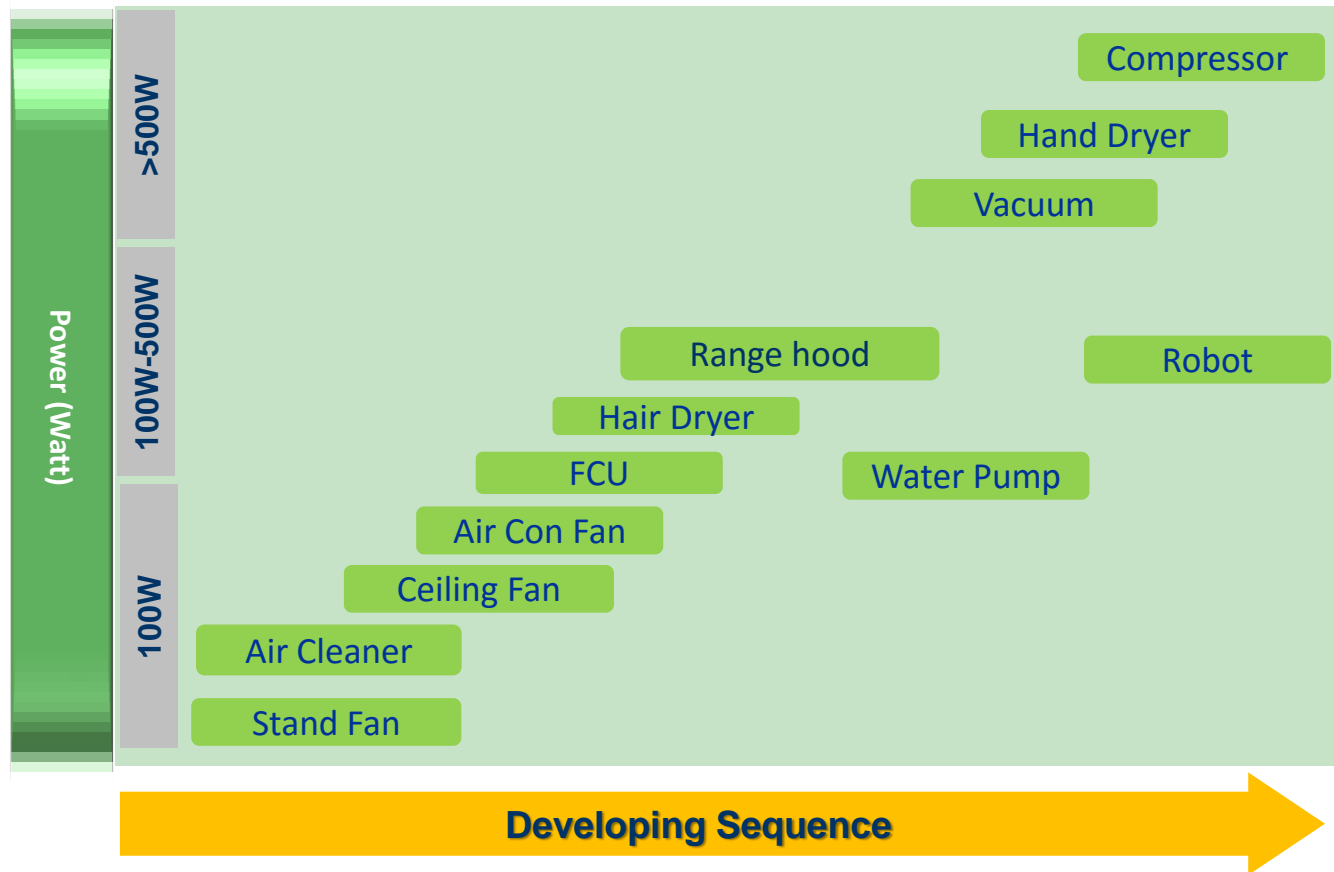
- MOSFET drivers embedded (MOSFET up to 100V)
- Bootstrap diode embedded
- Active-high interface with enable
- Under-Voltage (UVLO) protection
- Cross-Conduction prevention logic



iT62140 Application Circuit



目標應用及市場



Partnership

ienergy

Customers

AIRMATE

BYD

CHIMEI
奇美家電

HEC

Lasko®

Visit our subsidiary
AirKing
Ventilation Products

MI

Nidec
All for dreams

OSIM

TWINBIRD

PHILIPS

PANJIT

瑞智精密
RECHI

SAMPO

SAMSUNG

skynet

Technology Co-developing

tsmc

VIS



ienergy 

We think outside the box